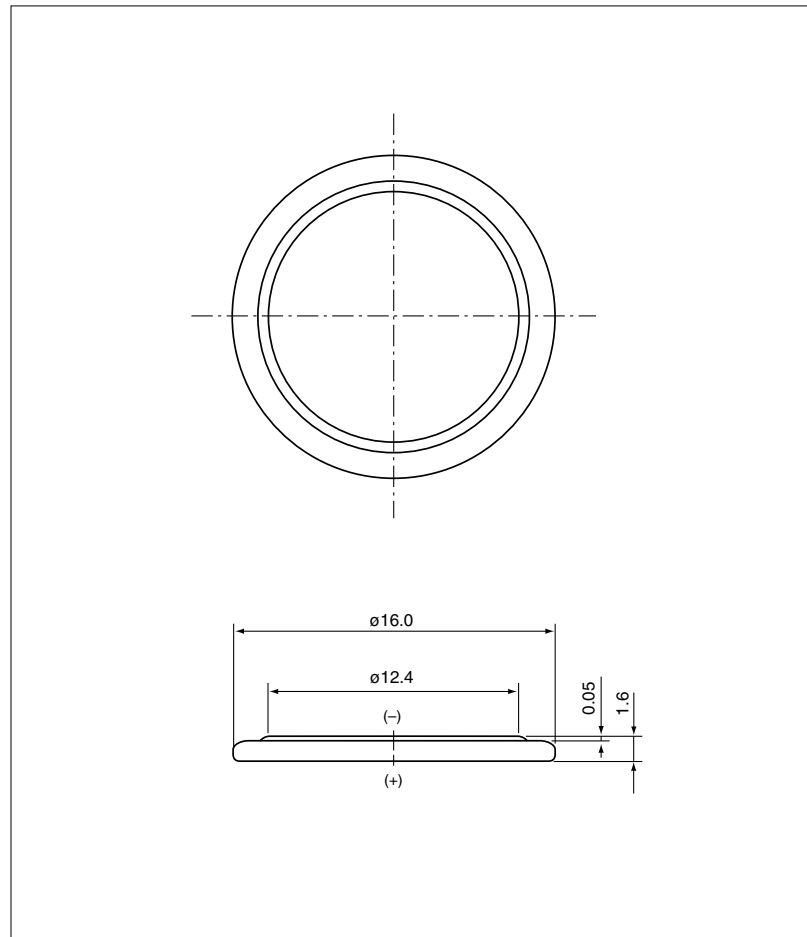




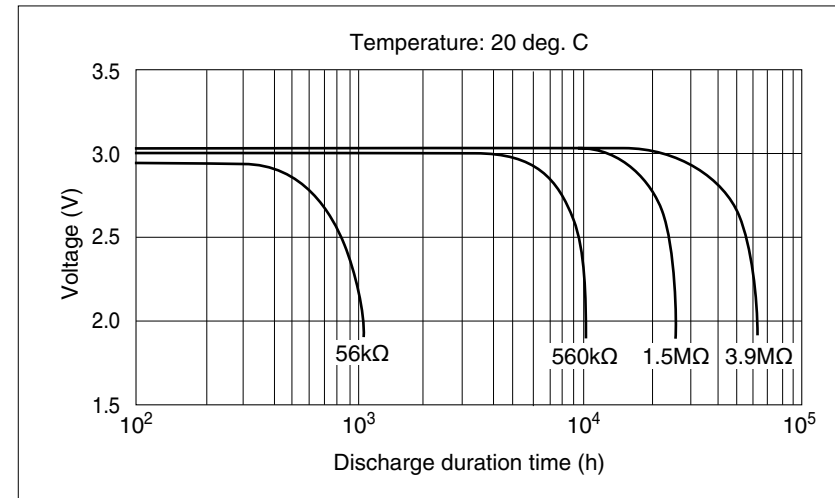
# CR1616 (55mAh)

# Battery Properties

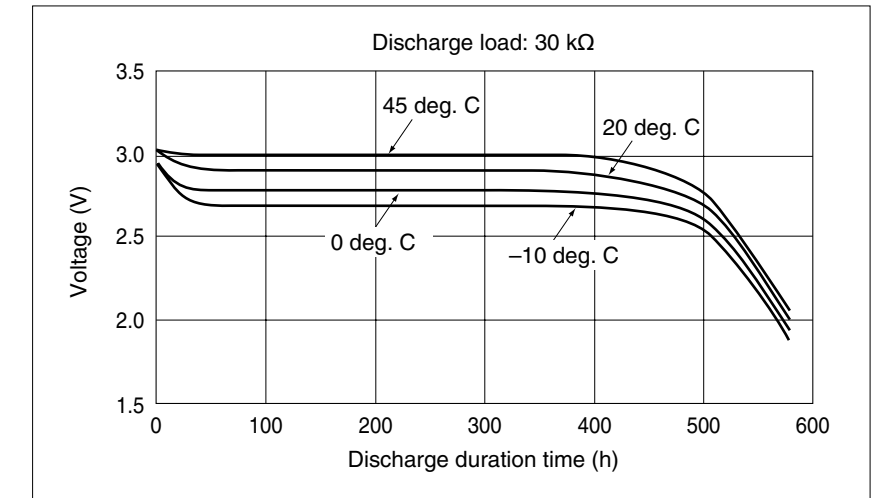
### ● External Dimensions (unit: mm)



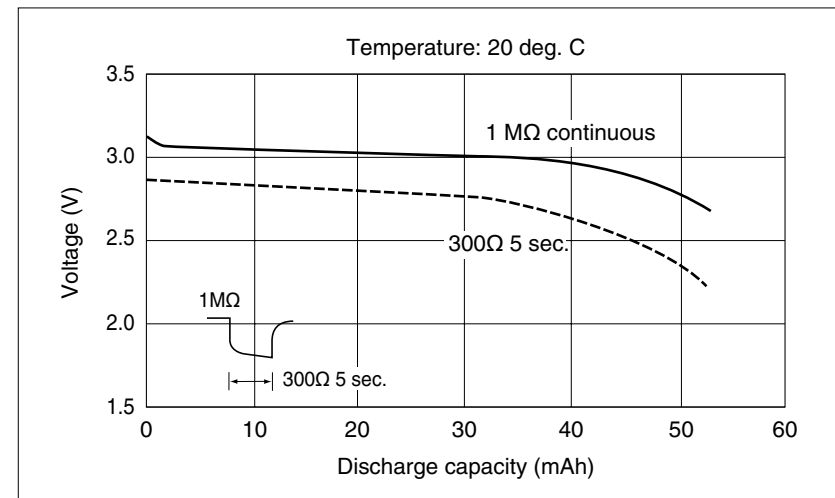
### ● Discharge Characteristics



### ● Temperature Characteristics



### ● Pulse Discharge Characteristics



### ● Relationship between Discharge Current and Discharge Capacity

